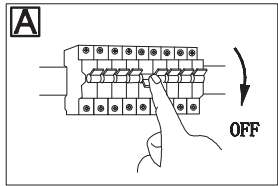


# GLOBO

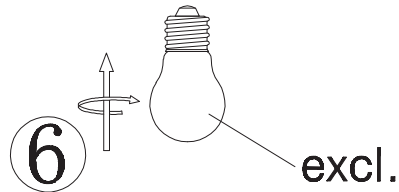
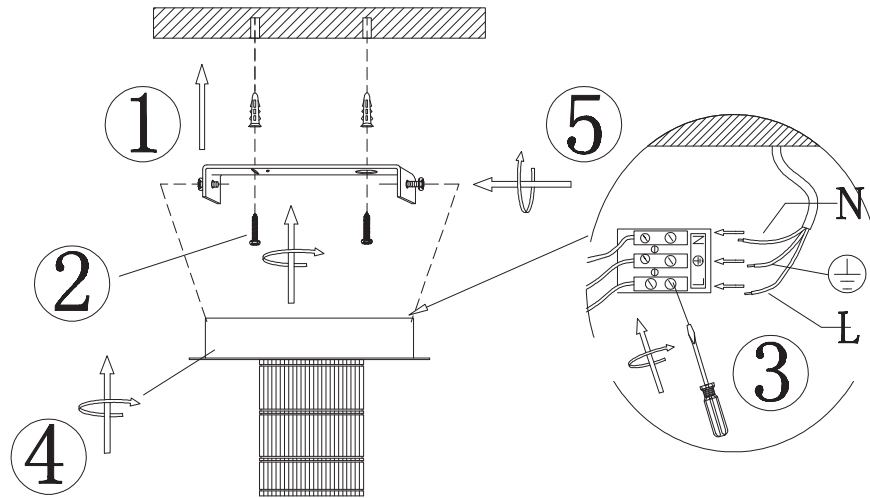
LIGHTING

[www.globo-lighting.com](http://www.globo-lighting.com)

54030-1D



**B**



**GLOBO Handels GmbH**  
Gewerbestr. 3  
A-9184 Sankt Peter

