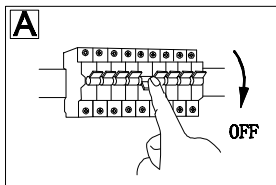


# GLOBO

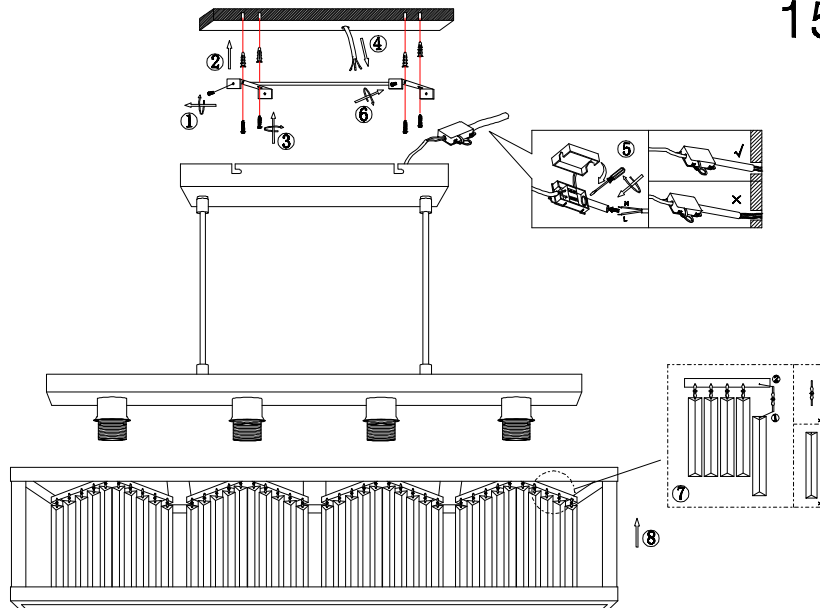
LIGHTING

[www.globo-lighting.com](http://www.globo-lighting.com)

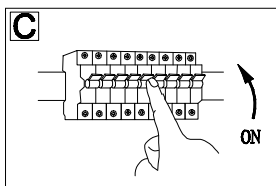
15697-4H



**B**



**C**



GLOBO Handels GmbH  
Gewerbestr. 3  
A-9184 Sankt Peter  
Austria

